

## PCN – Process Change Notification

Change:	TI.09.C.2151
Date:	2016/06/14
Author	Kim Ho

### Affected Products

Model#	Part Number	Changes
Terminal Antenna 915MHz 2dBi RP- SMA(M)ST 180 degree, fixed.	TI.09.C.2151	Packaging rules changing.

### Type of Change

- Hardware Modification  
 Production Process Advance  
 Others – Packaging Rules Changing

### Description of Change

1. Due to Taoglas will input Barcode tracking process, we need to amend the packaging rules and labelling on barcode labels on standard packaging quantity bag and cartons.

### Schedule

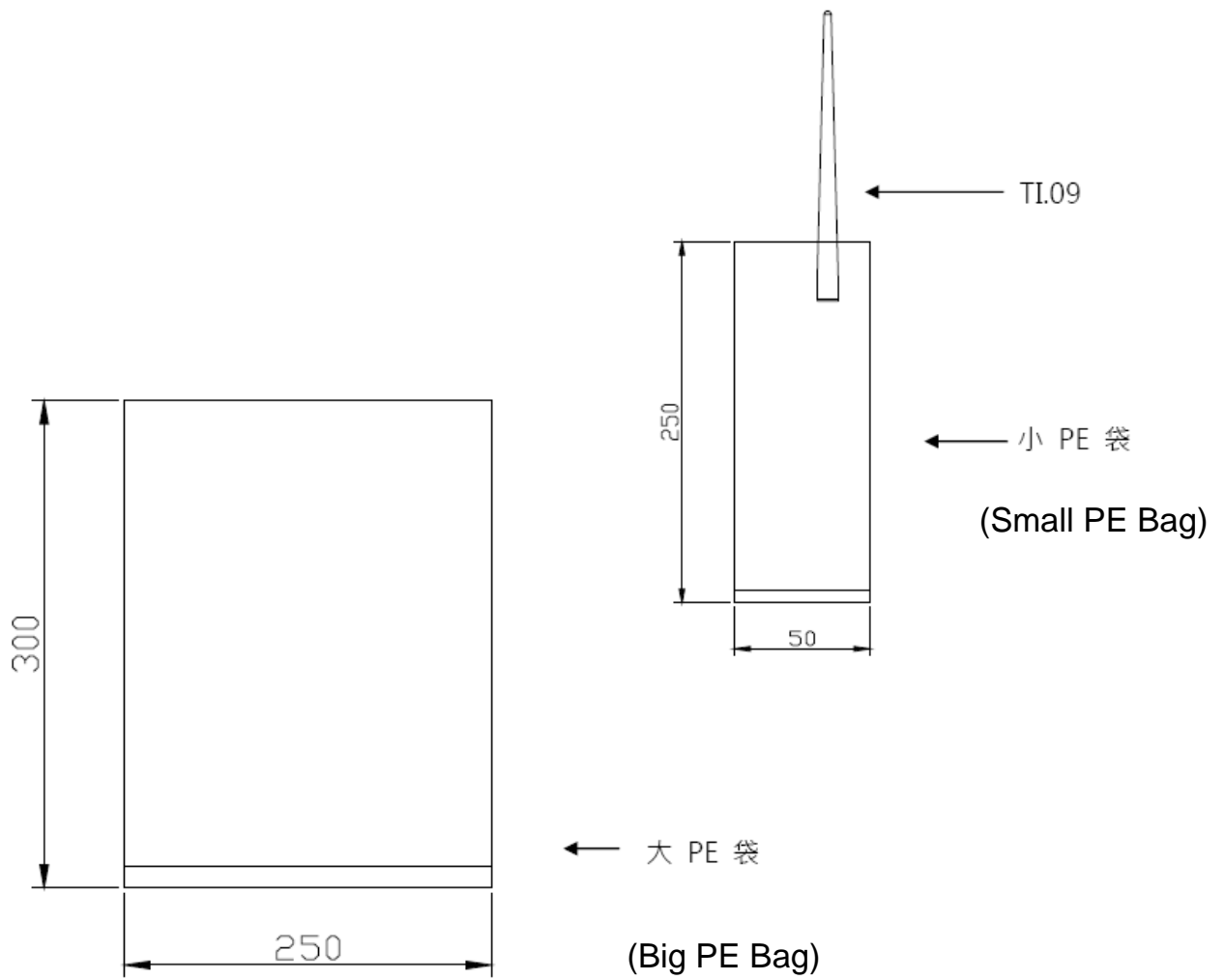
2016, June, Taoglas will input this new packaging rules into production.

### Forecast Estimated Transition Date

**JUN/2016**

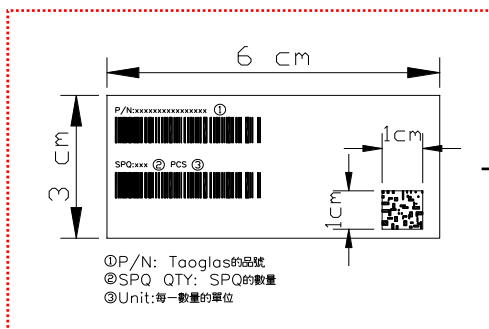
### Illustration of Change

### Old packaging rules

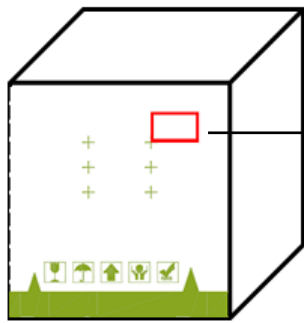
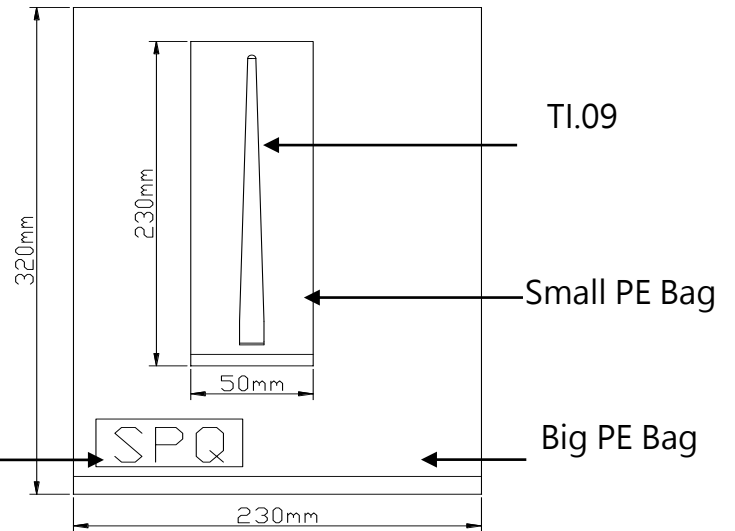


### New packaging rules

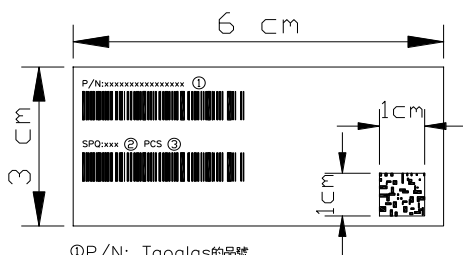
Small PE Bag: 1pcs  
 SPQ->Big PE Bag: 50pcs



Label 1



400 pcs/Carton-Outside  
 360\*310\*160mm



Label 1