

## PCN – Process Change Notification

Change:	AA.162.B.501L11
Date:	2017/07/25
Author	Haley Tsai

### Affected Products

Model#	Part Number	Changes
AA.162 Ulysses Miniature Magnetic Mount GPS GLONASS Antenna with 5M RG-174 BNC(M) (mid SAW Filter)	AA.162.B.501L11	<ol style="list-style-type: none"> <li>1. Use tape to seal PE bag</li> <li>2. Change PE bag size to 100x230mm.</li> </ol>

### Type of Change

- Hardware Modification
- Production Process Advance
- Others –Use tape to seal PE bag  
Change PE bag size to 100x230mm.

### Description of Change

1. Use tape to seal PE bag.
2. Change PE bag size to 100x230mm.

### Schedule

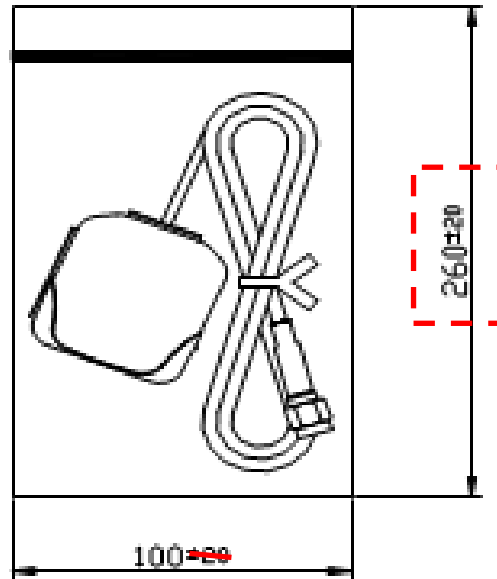
2017, July, Taoglas will provide new drawing into production.

### Forecast Estimated Transition Date

**July /2017**

**Illustration of Change**

**Old Package**



**New Package**

